

# BURNERS



# ALL THERM

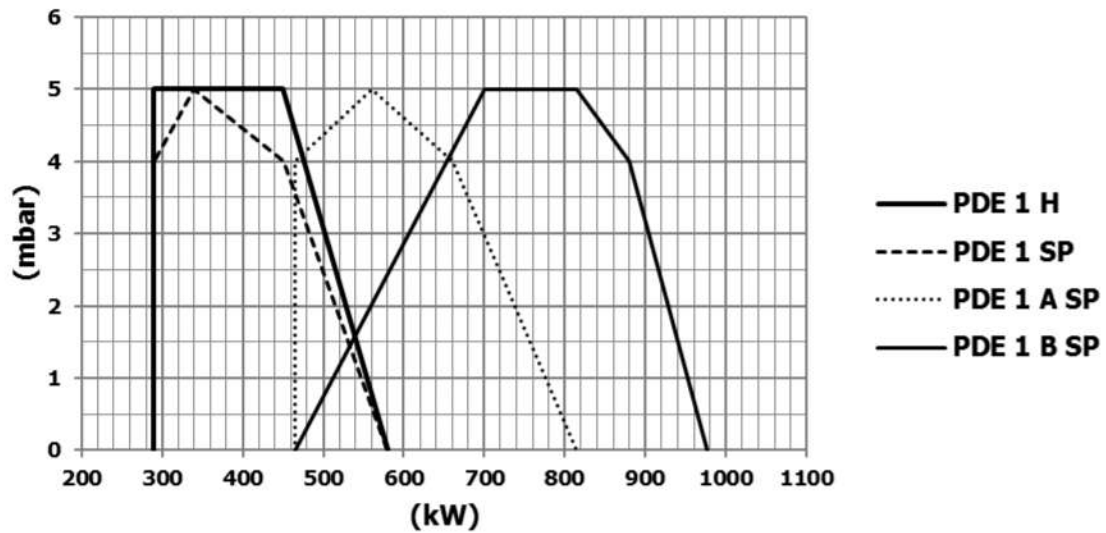
OIL, GAS AND DUAL: UP TO 5M KCAL/H  
THIRD WORLDWIDE INDUSTRIAL GROUP  
TUV INTERNATIONAL CERTIFICACION

**2 YEAR GUARANTY**

**PDE 1 H**  
**PDE 1 SP**  
**PDE 1 A SP**  
**PDE 1 B SP**



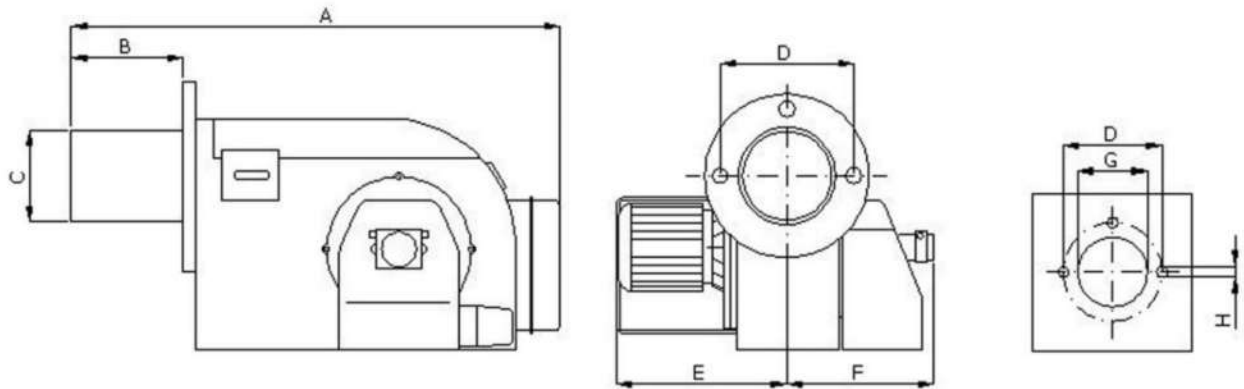
**Burner Performance Chart**



	Function	Fuel	Oil Consumption kg/h	Heating Capacity kW
<b>PDE 1 H</b>	Single Stage	Light Oil	25-50	290-580
<b>PDE 1 SP</b>	Two Stage	Light Oil	25-50	290-580
<b>PDE 1 A SP</b>	Two Stage	Light Oil	40-70	465-815
<b>PDE 1 B SP</b>	Two Stage	Light Oil	40-84	465-977

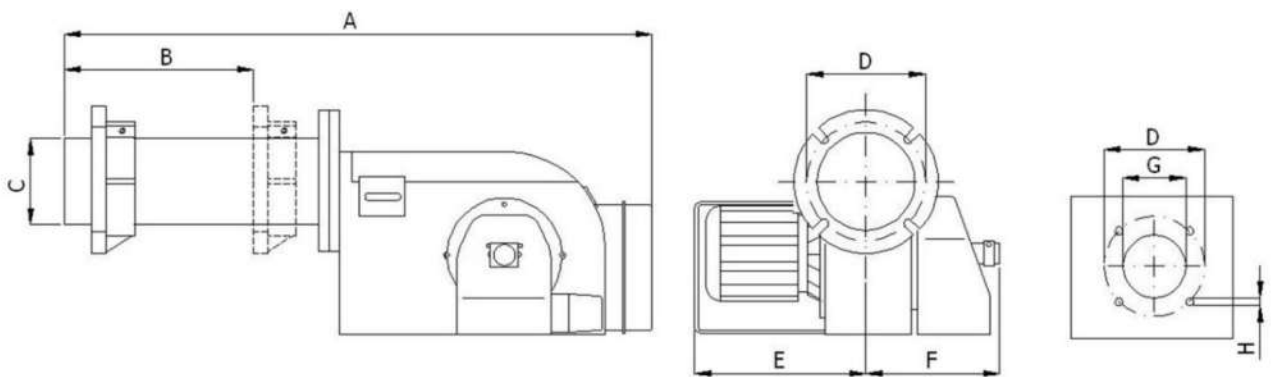


## Burner Dimensions (with standard flame tube)



	A	B	C	D	E	F	G	H
<b>PDE 1 H</b>	810	200	165	206	340	312	170	M12
<b>PDE 1 SP</b>	810	200	165	206	340	312	170	M12
<b>PDE 1 A SP</b>	810	200	165	206	340	312	170	M12
<b>PDE 1 B SP</b>	810	200	165	206	340	312	170	M12

## Burner Dimensions (with long flame tube)



	A	B	C	D	E	F	G	H
<b>PDE 1 H</b>	1040	380	165	205-225	340	312	170	M12
<b>PDE 1 SP</b>	1040	380	165	205-225	340	312	170	M12
<b>PDE 1 A SP</b>	1040	380	165	205-225	340	312	170	M12
<b>PDE 1 B SP</b>	1040	380	165	205-225	340	312	170	M12



Burner Equipment	PDE 1 H	PDE 1 SP
Fan Motor	3 ~ 1.1 kW	3 ~ 1.1 kW
Servomotor	-	Conectron LKS 160
Control Unit	TF 701	TF 701
Oil Pump	Suntec AN67A	Suntec AN67A
Ignition Transformer	Brahma TB2S Electronic / 2×12 kV / 35 mA	Brahma TB2S Electronic / 2×12 kV / 35 mA
Oil Solenoid Valve	Rapa 1/8" (x4)	Rapa 1/8" (x2)
Flame Detector	Photo cell	Photo cell

Burner Equipment	PDE 1 A SP	PDE 1 B SP
Fan Motor	3 ~ 1.5 kW	3 ~ 1.5 kW
Servomotor	Conectron LKS 160	Conectron LKS 160
Control Unit	TF 701	TF 701
Oil Pump	Suntec AN67A	Suntec AN77A
Ignition Transformer	Brahma TB2S Electronic / 2×12 kV / 35 mA	Brahma TB2S Electronic / 2×12 kV / 35 mA
Oil Solenoid Valve	Rapa 1/8" (x2)	Rapa 1/8" (x2) & 1/4"
Flame Detector	Photo cell	Photo cell
Burner Control Panel	✓ (Connected)	✓ (Connected)



## ALL THERM (GIBRALTAR) LTD

### HEADQUARTERS :

World Trade Center  
6 Bayside Road 1st Floor - Unit 1.02  
GX1 1AA Gibraltar  
☎ (+350) 200 60207  
✉ info@alltherm.group

### SALES MANAGER :

Javier *Martinez* Lesmes  
C/ López Bravo 7. Naves CAM 45  
09001 Burgos  
☎ (+34) 639 324 269  
✉ j.martinez@alltherm.group

